

ATTENTION : These cords are not delivered as standard with the machines. They are made on request : contact your Technifor correspondent for the lead-time information.



• **Usage**

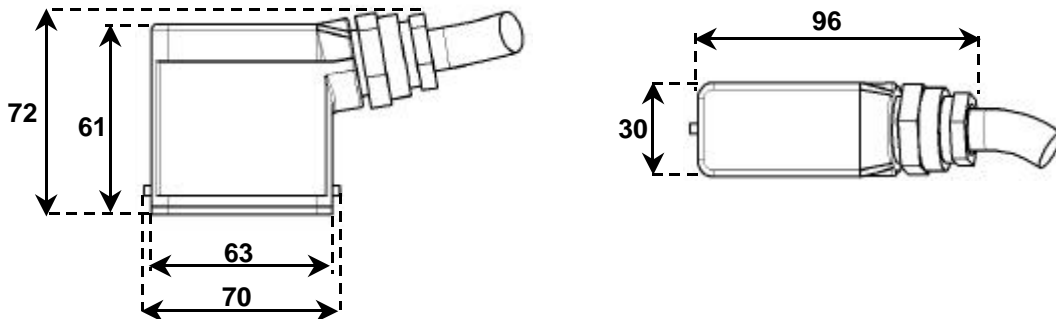
This cord is characterised by a **great resistance** to cutting, abrasion, **mineral oils** and refrigeration emulsions, for flexible installations with medium mechanical constraints and free movement without the effort of traction and without guidance, in dry, humid, and wet places outside. It is resistant to UV rays, oxygen, ozone, hydrolysis and microbes.

• **Cable**

Diameter : 24.1 mm
 Command cable made of polyurethane, conforms to the DIN VDE 0245 and 0281 norms
 Usage temperature : -5 to +80 °C
 Minimum curvature radius : 180 mm

• **Connectors**

Harting Sub-25 male (for CCU), lateral exit
 Harting Sub-25 female (for Head), lateral exit
 Sealing : IP65
 Dimensions : mm



• **4 lengths available**

Length	Reference
3 m	MCORD099/38
6 m	MCORD099/39
10 m	MCORD099/40
15 m	MCORD099/41

• **Chemical resistance**

Substance	Concentration (%)	Temperature up to... °C	Resistance
Inorganic Products			
Aluminium	saturated	20	○
Aluminium salts	all	20	
Aqueous Ammonia	10	20	● ● ●
Aqueous Ammonium Acetate	all	20	
Aqueous Ammonium Carbonate	all	20	○
Aqueous Ammonium Chloride	all	20	● ● ●
Barium Salts	all	20	● ● ●
Boric Acid	100	20	●
Aqueous calcium Chloride	saturated	20	●
Aqueous calcium Chloride	10-40	20	● ● ●
Aqueous calcium Nitrate	saturated	20	
Aqueous chrome Salts	saturated	20	
Aqueous potassium Carbonate		20	
Aqueous potassium Chlorate	saturated	20	
Aqueous potassium Chloride	saturated	20	○
Aqueous potassium Bichromate		20	
Aqueous potassium waste		20	
Aqueous potassium Nitrate	saturated	20	● ● ●
Aqueous potassium Permanganate		20	○
Aqueous potassium Sulphate		20	● ● ●
Copper salts	saturated	20	● ● ●
Magnesium salts	saturated	20	●
Aqueous sodium Bicarbonate		20	●
Aqueous sodium Bisulphate		20	○
Aqueous sodium Chloride		20	● ● ●
Aqueous sodium Thiosulphate		20	●
Caustic Soda	50	50	
Aqueous nickel salts,	saturated	20	● ● ●
Nitrobenzine	100	50	○
Phosphorus Acid	50	20	○
Mercury	100	20	● ● ●
Mercury salts	saturated	20	● ● ●
Nitric Acid	50	20	○
Chlorhydric Acid	conc.	20	○
Sulphure Dioxide		20	○
Carbone Sulphure		20	○
Sulphuric Acid	50	50	
Sulfhydric Acid		20	
Sea water		20	● ● ●
Aqueous silver salts		20	● ● ●
Detergents	2	100	○
Distilled water		20	
Aqueous oxygenated water		20	●
Aqueous Zinc salts		20	○
Stagnant chloride		20	

● ● ● Resistant ● Medium resistance.
○ Non resistant

Substance	Concentration (%)	Temperature up to... °C	Resistance
Organic Products			
Acetone		20	○
Ethyl Alcohol	100	20	●
Ethyl Chloride		50	○
Ethyl Glucol		100	○
Formic Acid	30	20	○
Anilyne		50	○
Petrol		20	● ● ●
Benzine		50	○
Aqueous succinic Acid	saturated	20	
Brake fluid		100	○
Butane		20	
Butter		50	●
Chlorobenzine		50	○
Cloroprene		20	○
Diethylenic Ether		20	● ● ●
Diethylenic Glycol		50	● ● ●
Fuel			● ● ●
Glacial acetic Acid	20	50	○
Acetic Acid	20		
Freon gas		20	●
Gear oil		100	●
Glycerine	All	50	● ● ●
Hydraulic oil		20	●
Isopropylic Alcohol	100	20	●
Kerosene		20	● ● ●
Machine oil		20	●
Methanol		20	○
Alcohol methylic	100		●
Methylene Chloride		20	○
Lactic Acid	10		○
Mineral oil			●
Motor oil		120	○
Olive oil		50	● ● ●
Oxalic Acid	saturated	20	
Paraffin oil			● ● ●
Vegetable oil			● ● ●
Vegetable greases			● ● ●
Cutting oil			● ● ●
Tarmac acid		20	○
Carbon tetrachloride	100	20	○
Toluene			
Trichlorethylene	100	20	
Aqueous Acid tartric			
Citric Acid			

The indicative information cannot be assessed unless in real working conditions.



Technifor
114 quai du Rhône
F-01708 MIRIBEL cedex
Tél +33 (0)4 78 55 85 50
Fax +33 (0)4 78 55 85 60
E-mail : tf@technifor.com
site web : www.technifor.com

