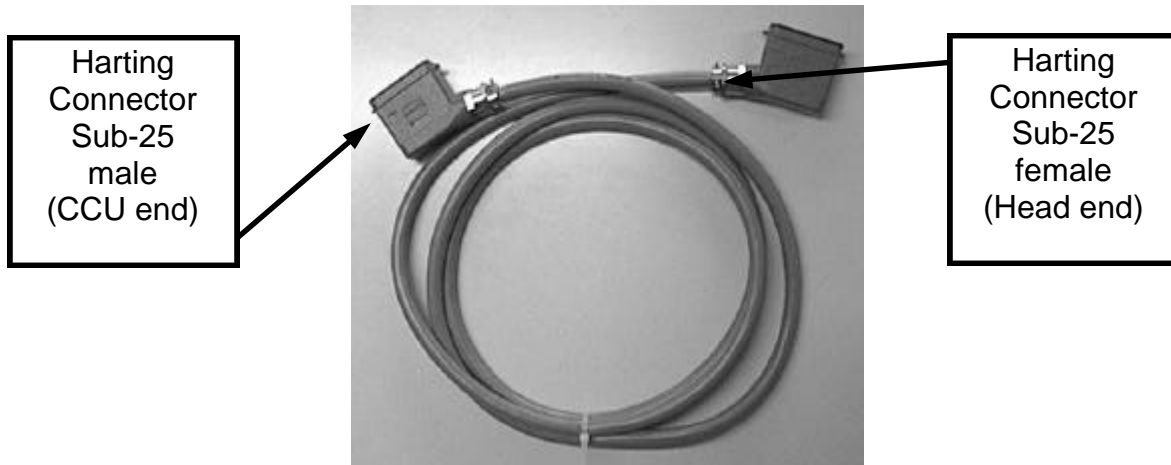


**ATTENTION :** These cords do not come as standard with the machines . They are made on request : contact your Technifor correspondent for the lead-time information.



• **Usage**

The usage of **this lead is specific to the carry-cable chains and in the robotic domain** in cases where it is subjected to frequent movements. This cord is to be used for installations where the atmosphere is dry, humid but not for outdoor use.

• **Cable**

Diameter : 17.5 mm

PVC command cable, reinforced, extra supple, conforms to the DIN VDE 0245, 0250 and 0281 norms.

Usage temperature : -5 to +80 °C

Minimum curvature radius : 175 mm

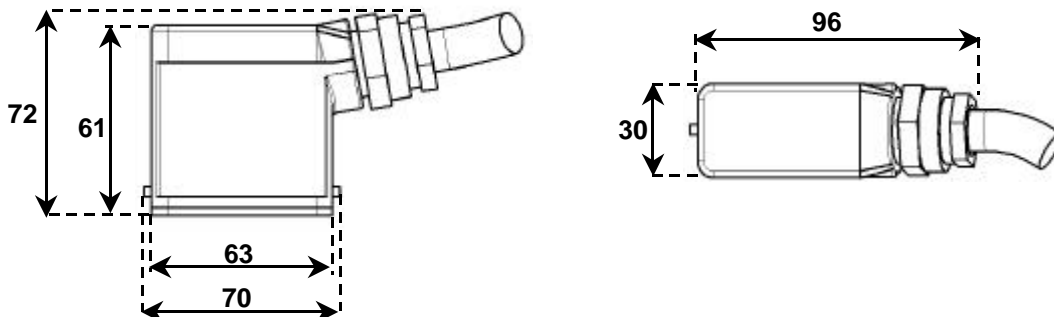
• **Connectors**

Harting Sub-25 male (for CCU), lateral exit

Harting Sub-25 female (for Head), lateral exit

Sealing : IP65

Dimensions : mm



• **4 lengths available**

Length	Reference
3 m	MCORD099/27
6 m	MCORD099/28
10 m	MCORD099/29
15 m	MCORD099/30

• **Chemical resistance**

Substance	Concentration (%)	Temperature up to... °C	Resistance
<b>Inorganic Products</b>			
Alum	saturated	20	● ● ● ●
Aluminium salts	all	20	● ● ● ●
Aqueous Ammonia	10	20	● ● ● ●
Aqueous Ammonium Acetate	all	20	● ● ● ●
Aqueous Ammonium Carbonate	all	20	● ● ● ●
Aqueous Ammonium Chloride	all	20	● ● ● ●
Barium Salts	all	20	● ● ● ●
Boric Acid	100	20	● ● ● ●
Aqueous calcium Chloride	saturated	20	● ● ● ●
Aqueous calcium Chloride	10-40	20	
Aqueous calcium Nitrate	saturated	20	● ● ● ●
Aqueous chrome Salts	saturated	20	● ● ● ●
Aqueous potassium Carbonate		20	● ● ● ●
Aqueous potassium Chlorate	saturated	20	● ● ● ●
Aqueous potassium Chloride	saturated	20	● ● ● ●
Aqueous potassium Bichromate		20	● ● ● ●
Aqueous potassium waste		20	● ● ● ●
Aqueous potassium Nitrate	saturated	20	● ● ● ●
Aqueous potassium Permanganate		20	●
Aqueous potassium Sulphate		20	● ● ● ●
Copper salts	saturated	20	● ● ● ●
Magnesium salts	saturated	20	● ● ● ●
Aqueous sodium Bicarbonate		20	● ● ● ●
Aqueous sodium Bisulphate		20	● ● ● ●
Aqueous sodium Chloride		20	● ● ● ●
Aqueous sodium Thiosulphate		20	● ● ● ●
Caustic Soda	50	50	● ● ● ●
Aqueous nickel salts,	saturated	20	● ● ● ●
Nitrobenzine	100	50	○
Phosphorus Acid	50	20	● ● ● ●
Mercury	100	20	● ● ● ●
Mercury salts	saturated	20	● ● ● ●
Nitric Acid	50	20	○
Chlorhydric Acid	conc.	20	○
Sulphure Dioxide		20	● ● ● ●
Carbone Sulphure		20	○
Sulphuric Acid	50	50	● ● ● ●
Sulfhydric Acid		20	● ● ● ●
Sea water		20	● ● ● ●
Aqueous silver salts		20	● ● ● ●
Detergents	2	100	○
Distilled water		20	● ● ● ●
Aqueous oxygenated water		20	● ● ● ●
Aqueous Zinc salts		20	● ● ● ●
Stagnant chloride		20	● ● ● ●

● ● ● ● Resistant      ● Medium resistance.  
○ Non resistant

Substance	Concentration (%)	Temperature up to... °C	Resistance
<b>Organic Products</b>			
Acetone		20	○
Ethyl Alcohol	100	20	○
Ethyl Chloride		50	○
Ethyl Glucol		100	●
Formic Acid	30	20	○
Anilyne		50	○
Petrol		20	○
Benzine		50	○
Aqueous succinic Acid	saturated	20	● ● ● ●
Brake fluid		100	●
Butane		20	● ● ● ●
Butter		50	● ● ● ●
Chlorobenzine		50	○
Cloroprene		20	○
Diethylenic Ether		20	●
Diethylenic Glycol		50	● ● ● ●
Fuel			○
Glacial acetic Acid	20	50	○
Acetic Acid	20		●
Freon gas		20	○
Gear oil		100	● ● ● ●
Glycerine	All	50	● ● ● ●
Hydraulic oil		20	○
Isopropylic Alcohol	100	20	○
Kerosene		20	
Machine oil		20	●
Methanol		20	○
Alcohol methylic	100		●
Methylene Chloride		20	○
Lactic Acid	10		○
Mineral oil			
Motor oil		120	○
Olive oil		50	● ● ● ●
Oxalic Acid	saturated	20	● ● ● ●
Paraffin oil			
Vegetable oil			● ● ● ●
Vegetable greases			● ● ● ●
Cutting oil			●
Tarmac acid		20	● ● ● ●
Carbon tetrachloride	100	20	● ● ● ●
Toluene			
Trichlorethylene	100	20	● ● ● ●
Aqueous Acid tartric			● ● ● ●
Citric Acid			● ● ● ●

The indicative information cannot be assessed unless in real working conditions.



**Technifor**  
 114 quai du Rhône  
 F-01708 MIRIBEL cedex  
 Tél +33 (0)4 78 55 85 50  
 Fax +33 (0)4 78 55 85 60  
 E-mail : tf@technifor.com  
 site web : [www.technifor.com](http://www.technifor.com)

