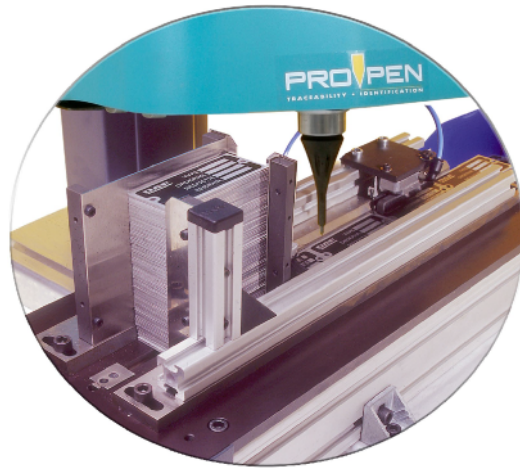


Plates Marking solution

Product description

Installed on a P5000 machine, this autonomous system is used for automatic marking, feeding and ejection of plates, without operator intervention.



Benefits of the TAG3500

■ An autonomous unit

By simply connecting a keyboard, the operator can quickly create a marking file. The software integrated into the P5000 is user-friendly, efficient and also offers up to 99 marking fields per plate (text, dates, hours, serial numbers, batches, shifts...). The variable data evolves automatically with no PC required.

■ Simple to setup

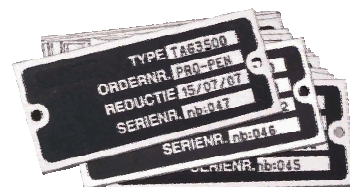
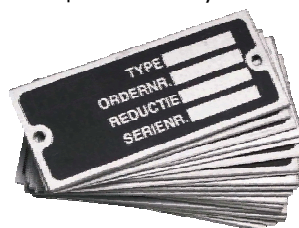
The TAG3500 is compatible with a wide range of plates (aluminum, steel, plastics...) and plate size or thickness setting is fast and easy. The TAG3500 automatically loads and ejects series of up to 160 plates without the slightest intervention.

■ Quality and high-speed marking

The unique marking tool marks clearly, accurately and neatly. As well, the P5000 is used to mark on all types of plates up to 5 characters/sec. Low-impact micro-percussion marking does not deform your plates.

■ Versatile

Ergonomic, the TAG3500 is easy to install on the P5000. When dismantled, the P5000 marks on any type of part, up to 280mm high (tools, plastic parts, keys, mechanic components...).


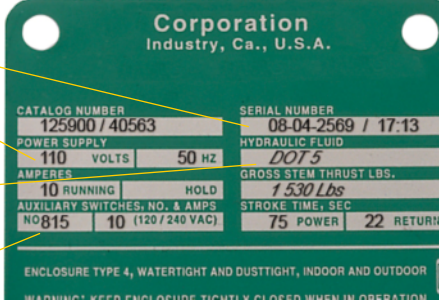


PRO-PEN

114, quai du Rhône
F-01708 MIRIBEL Cédex


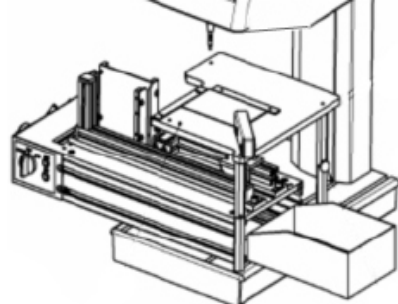
Tel: +33 478 558 552
Fax: +33 478 558 554

www.pro-pen.com

 <p>Logotypes Data Matrix™ codes</p> <p>Various fonts Serial numbers, dates, counters, shift codes...</p>	 <p>Automatic date and time management</p> <p>Characters from 1 to 99 mm</p> <p>Compression, Inclined mode ...</p> <p>Permanent marking</p>
<p>Data transfer via keyboard, USB drive, computer or RS232...</p>	<p>Up to 99 fields to customize. Flat, angular, radial marking, etc...</p>

TAG3500 Item code : 25178	Blank plate pile height: 100 mm
Dimensions L x w x h: 71x20x17 cm	Plate format: 20x20 to 98x98 mm
Net weight: 11 Kg	Plate thickness: 0,6 to 2 mm
Electrical supply: 30 V	Continuous stroke and matrix (5 x 7) fonts
Electric consumption: 1 A	Marking of geometric shapes (circles, lines...)
Pressure: 5,5 bar / 81 PSI	Note: the plates must be flat, with rounded corners, no burrs and no film.

Options

<p>PW05 plate marking program</p> <ul style="list-style-type: none"> - Windows® PC program, - Graphic preview on the screen, - Modification of the marking file directly on the screen, - Different marking menus, - "Fusion" function with the data of an Excel-type or .csv. file <p>Item code: 25157 (// key) 25161 (USB key)</p>	 <p>Preview of the plate on the screen</p>
<p>Raised Plate holder</p> <p>- Used to mark small series of plates or various parts without dismantling the TAG3500.</p> <p>Item code: 25153</p>	

PRO-PEN

114, quai du Rhône
F - 01708 MIRIBEL Cédex

Tel: +33 478 558 552
Fax: +33 478 558 554

www.pro-pen.com

